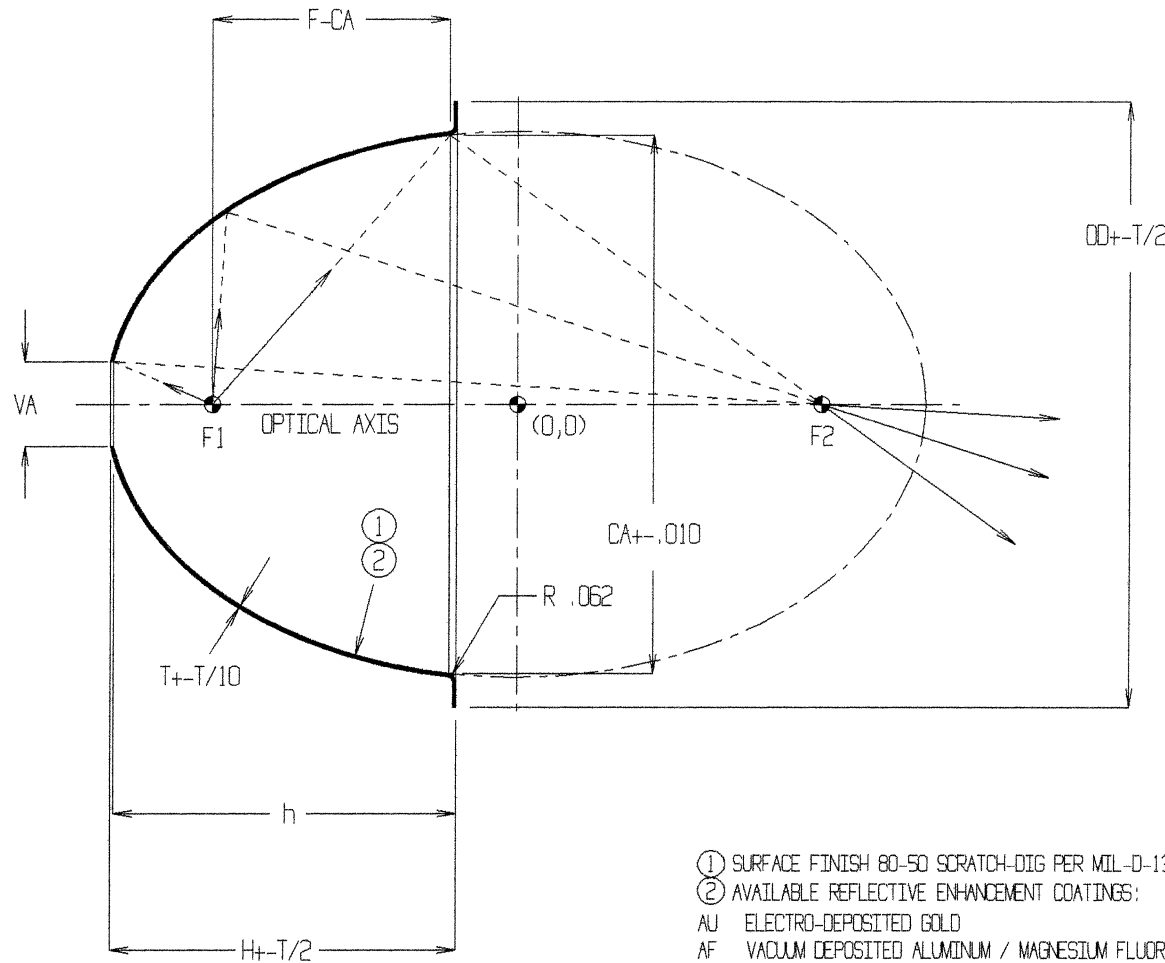


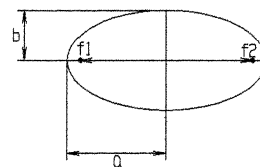
ALL CONCEPTS CONTAINED WITHIN THIS DRAWING ARE PROPRIETARY TO PHOENIX ELECTROFORMED PRODUCTS, INC.  
AND MAY NOT BE CONVEYED TO THIRD PARTIES WITHOUT WRITTEN CONSENT

REVISIONS			
ZONE	REV	DESCRIPTION	DATE



- ① SURFACE FINISH 80-50 SCRATCH-DIG PER MIL-D-13880A
- ② AVAILABLE REFLECTIVE ENHANCEMENT COATINGS:
  - AU ELECTRO-DEPOSITED GOLD
  - AF VACUUM DEPOSITED ALUMINUM / MAGNESIUM FLUORIDE (MgF2) OVERCOAT
  - AO VACUUM DEPOSITED ALUMINUM / QUARTZ (SiO2) OVERCOAT
  - RH ELECTRO-DEPOSITED BRIGHT RHODIUM

.02	1.000	3.944	4.438	2.487	2.460	.025	1.736
.01	.625	3.944	4.438	2.544	2.518	.025	1.736
#	VA	CA	OD	H	h	T	F-CA



ELLIPSE EQUATION

$$\frac{x^2}{a^2} + \frac{y^2}{b^2} = 1$$

$a=3.0000$   
 $b=2.0000$   
 $f=.7639$   
 $F1-F2=4.4721$

UNLESS OTHERWISE SPECIFIED  
DIMENSIONS ARE IN INCHES  
TOLERANCES ARE:

FRACTIONS DECIMALS ANGLES  
 $\frac{1}{16}$  .0015  $\pm .12$  DEG  
 $\frac{3}{32}$  .0030  $\pm .12$  DEG

FINISH ES/  
UNLESS OTHERWISE SPECIFIED

DO NOT SCALE DRAWING

MATERIAL ELECTROFORMED NICKEL	
CONTRACT NO.	
APPROVALS	DATE
DRAWN LB	3-31-10
CHECKED	
ENGR	
DESIGN ACTIVITY	

**PHOENIX**  
ELECTROFORMED PRODUCTS, INC.

TITLE  
ELLIPTICAL REFLECTOR  
EL6

SIZE	CAGE CODE	DWG NO	REV
		EL6	
SCALE		SHEET	